

General Audio Research

WARNING!

This modification is for technicians only. It subjects you to the health and safety risks associated with chemical solvents and soldering. You must use all normal safety precautions when working with these tools and materials.

General Audio Research and its principals are not responsible for any injury that may occur should you proceed with this modification.

General Audio Research are indemnified from any damage to your audio equipment and any connected electronic, your other property, and your person, that results from the operation of your equipment after you have tampered with it.



GAR

GA-2C

TUBE MIC PREAMP

only pcb

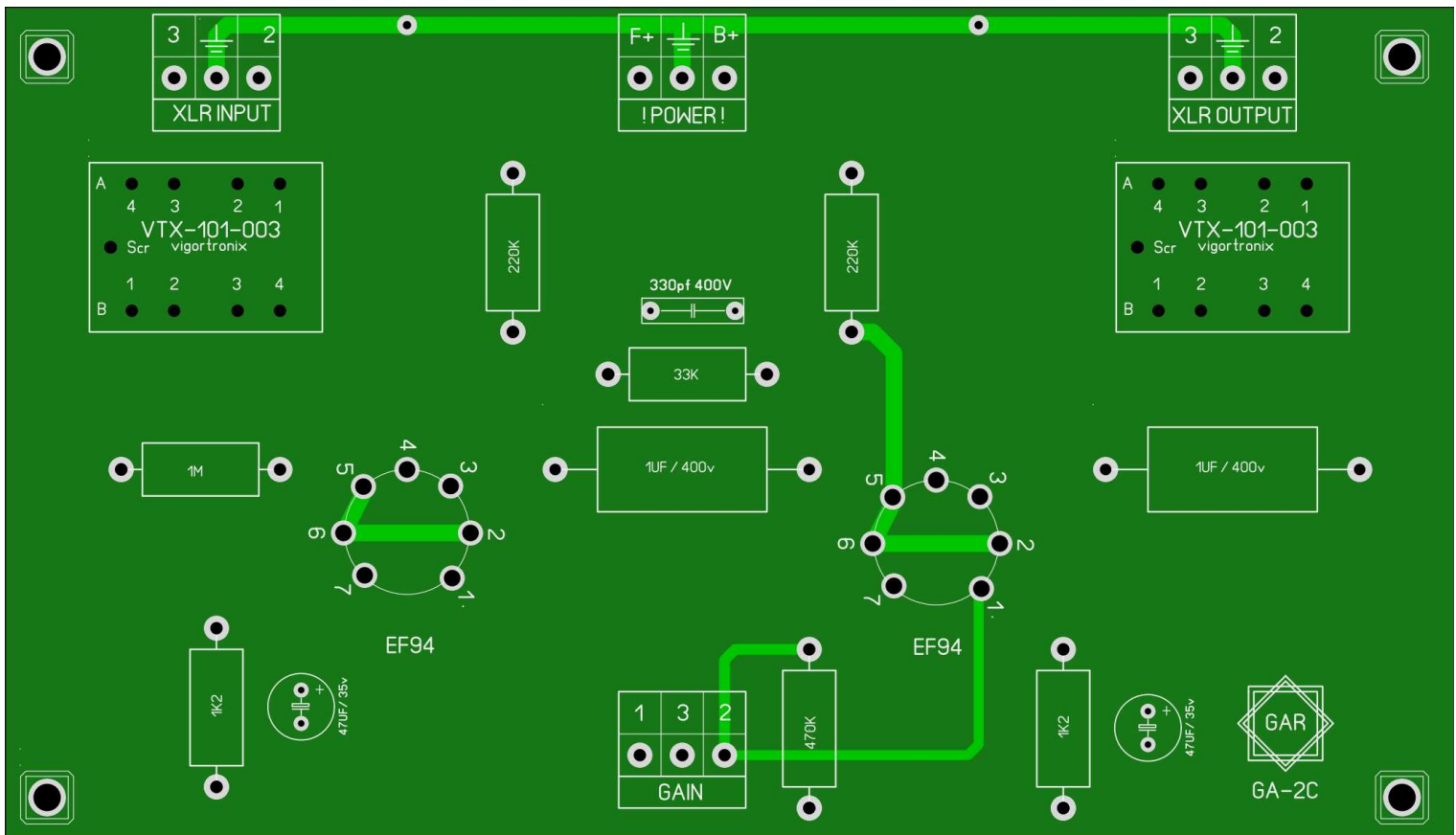
Difficult level / medium

Attention high voltage power supply is very dangerous

never operate on the pcb when it is powered on

never change a component when the circuit is powered on

pcb view



BOM

RESISTORS : (all resistor 1watt)

- 1k2 x2
- 33k
- 220k x2

- 470k
- 33k
- 1M
- Potentiometre = 100k log

CONDENSATEURS

- 47uf / 63v x2
- 1uf 400v x2
- 330pf / 400v mica

TRANSFORMER

- Vigortronics vtx -101-003 quantity =2

OTHER

- 7 pin mini tube socket x2
- ef94 or 6au6 pentode tube x2



POWER SUPPLY (High voltage)

- B+ = 220vdc
- F+ filament = 6.3vdc