

# General Audio Research

## **WARNING!**

This modification is for technicians only. It subjects you to the health and safety risks associated with chemical solvents and soldering. You must use all normal safety precautions when working with these tools and materials.

General Audio Research and its principals are not responsible for any injury that may occur should you proceed with this modification.

General Audio Research are indemnified from any damage to your audio equipment and any connected electronic, you other property, and your person, that results from the operation of your equipment after you have tampered with it.



## **W295B**

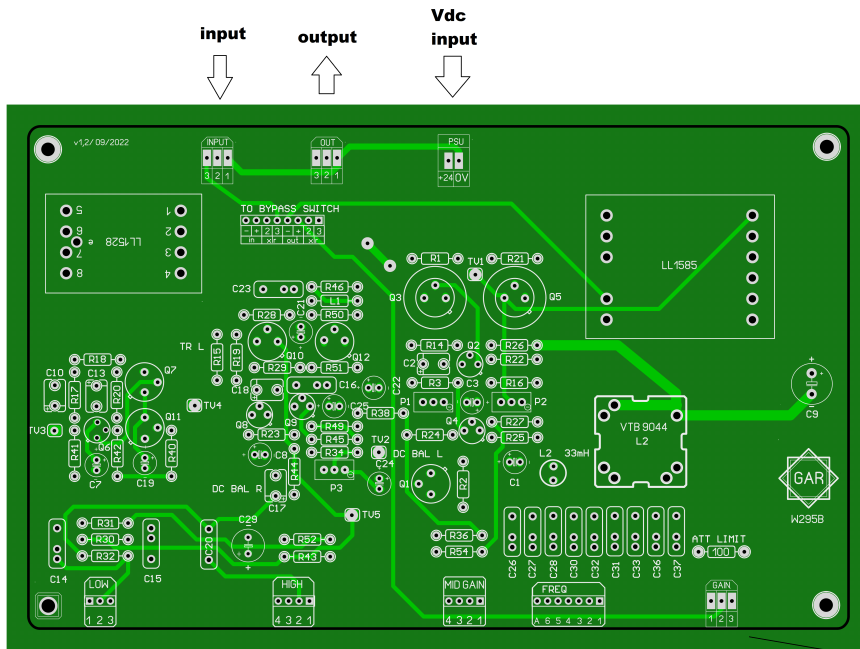
## **PCB DIY**

only pcb

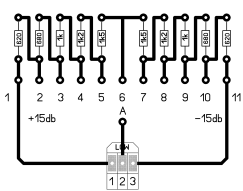
Attention high voltage power supply is very dangerous

never operate on the pcb when it is powered on

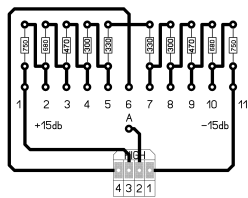
never change a component when the circuit is powered on



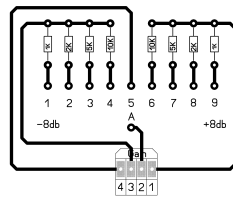
LOW SWITCH



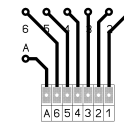
HIGH SWITCH



MIDDLE SWITCH GAIN



MIDDLE SWITCH FREQUENCY



FREQ
1= 0.7KHZ
2=1khz
3= 1.5khz
4=2.3khz
5=3.5khz
6=5.6khz

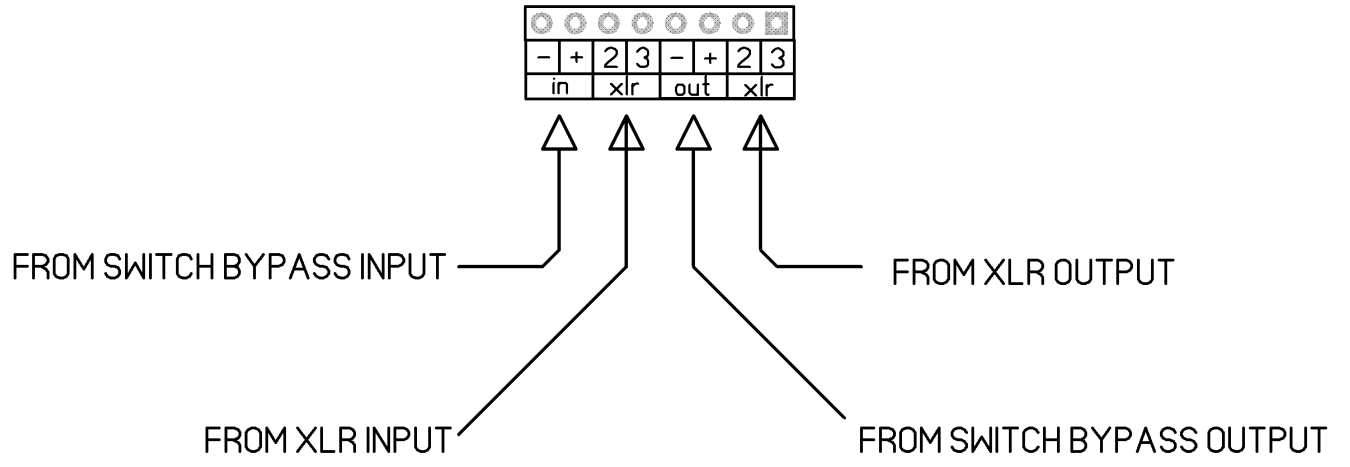
potentiomet  
1K log

## BYPASS SWITCH

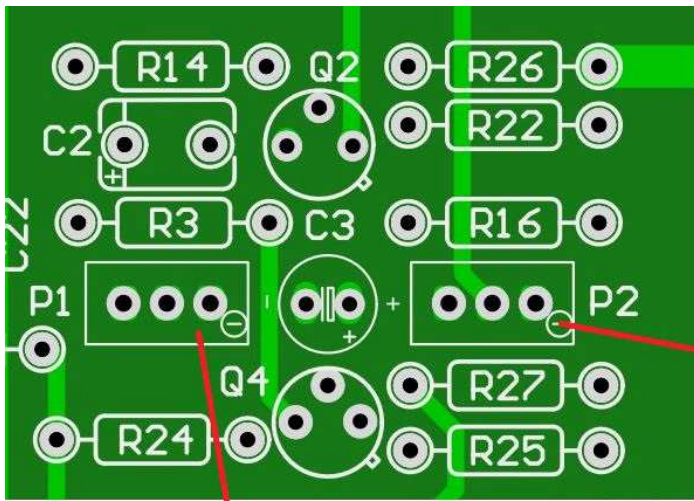
it kinda breaks your brain

but it works well

BYPASS SWITCH







**TRIMER GAIN**

is used to calibrate the machine at -18dbfs

**TRIMER**

I don't think it's much use  
it's up to you to try