

# General Audio Research

## **WARNING!**

This modification is for technicians only. It subjects you to the health and safety risks associated with chemical solvents and soldering. You must use all normal safety precautions when working with these tools and materials.

General Audio Research and its principals are not responsible for any injury that may occur should you proceed with this modification.

General Audio Research are indemnified from any damage to your audio equipment and any connected electronic, your other property, and your person, that results from the operation of your equipment after you have tampered with it.



## **MULTI PSU**

### **V2.3**

only pcb

Difficult level / High

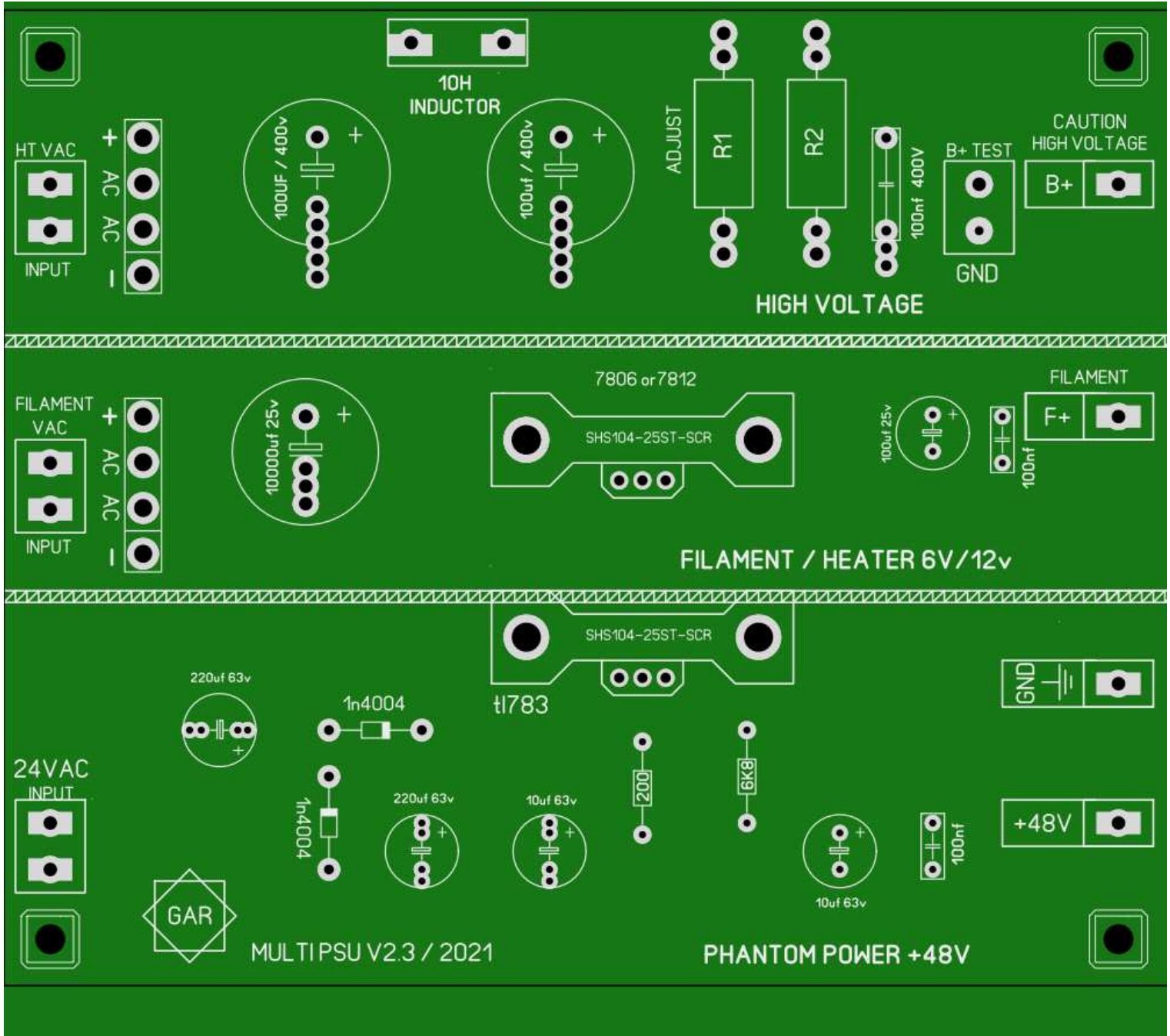
ask a confirmed professional technician

Attention high voltage power supply is very dangerous

never operate on the pcb when it is powered on

never change a component when the circuit is live

### MULTI PSU VIEW



## BOM

### High voltage rail :

- DIODE bridge type : (4ph60)
- 47uf or 100uf / 400v x2
- 100nf 400V
- R1 resistor **5W** (need to be adjust depends on the voltage output you want )
- R2 resistor **5W** (need to be adjust depends on the voltage output you want )
- Hammond Fixed Inductors inductance 10H ( must be adjusted to your use ) . really recommended

(otherwise make a bridge)

### Filament tube rail :

#### 6.3vac input

- DIODE bridge type : (4ph60)
- 10000uf /25v ref : (SKU 17968 banzai audio )
- regulator 7806 or 7812 + !!!!! **heatsink obligatory** !!!!! ref : HEAT SINK SHS 104-25ST-SCR (banzai audio )
- 100uf /25v
- 100nf /63v

### +48vdc Phantom power :

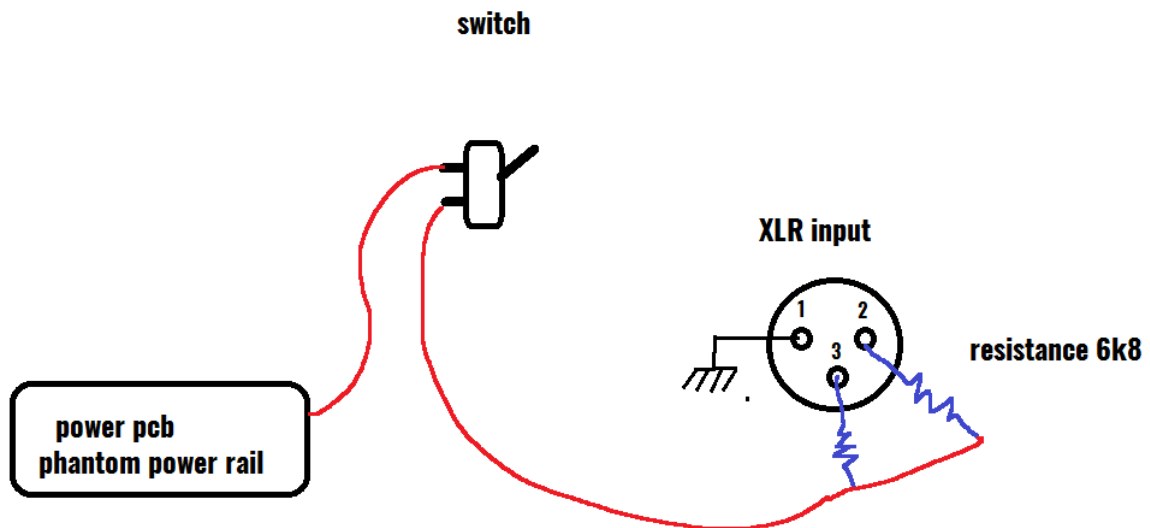
- Power transformer 24AC input
- Diode 1n4004 x2
- 220uf /63v x2
- 10uf /63v x2
- 100nf /63v
- TL783 + !!!!! **heatsink obligatory** !!!!! ref : HEAT SINK SHS 104-25ST-SCR (banzai audio )

- 200r 0.5w
- 6k8 0.5w (need to be adjust depends on the voltage output you want )

(i recommande 6k8 for +48vdc output )

this rail can be suitable for maximum 4 microphone

but I recommend 2 max



Attention high voltage power supply is very dangerous

Never operate on the pcb when it is powered on

Never change a component when the circuit is live

